



## WORKLIGHTS

R10 IP67

### EW2025R OUTDOOR BOUNDARY LINE Pedestrian Safety Zone

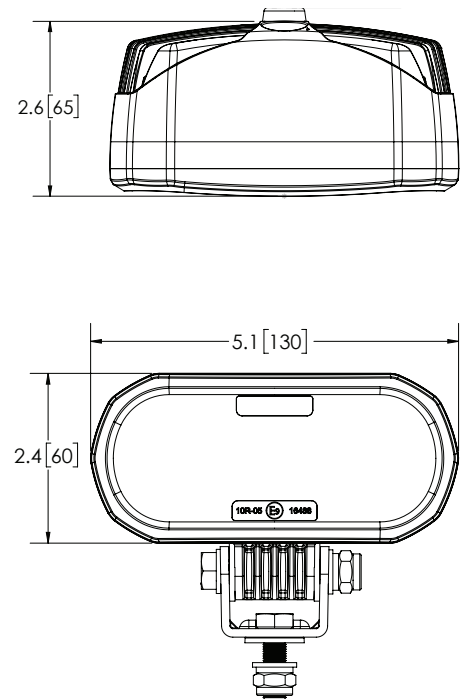
ECCO's EW2025R Outdoor Boundary Line is designed for use outdoors and establishes a safety zone around the perimeter of a vehicle or heavy equipment with a solid, red beam of light. Supplement safety and warning lights with this compact device that installs easily and produces a powerful beam that will grab pedestrians' attention. Running with 12-80 VDC and engineered with a rugged, vibration-resistant housing, the EW2025R is designed to accommodate virtually any application.

#### Models

PART NO.	VDC	LENS COLOUR	LED COLOUR	AMPS	WATTS
EW2025R	12-80	CLEAR	■	1.5	19.5

#### Design Features

- Ideal for low intensity light application (not recommended during high-noon sun)
- Use on worksites near heavy pedestrian areas
- Robust design
- Polycarbonate lens
- Rugged heatsink housing
- Stainless steel mounting bracket
- Temperature range: -40°C to +70°C (-40°F to +158°F)



Measurements in inches (millimetres)

+44 (0)113 237 5340 | sales@eccogroup.com