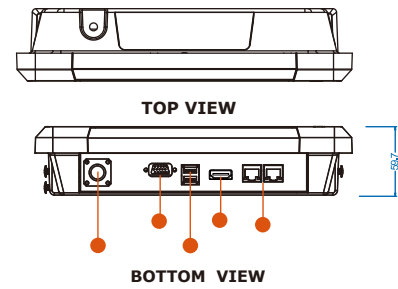
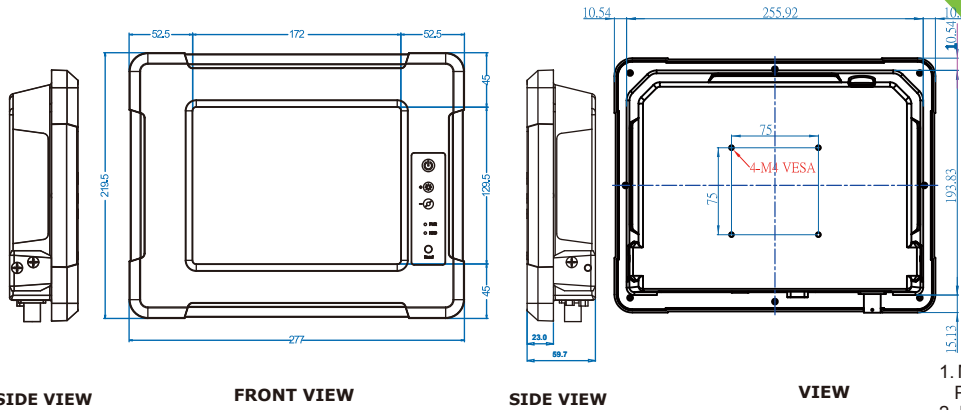
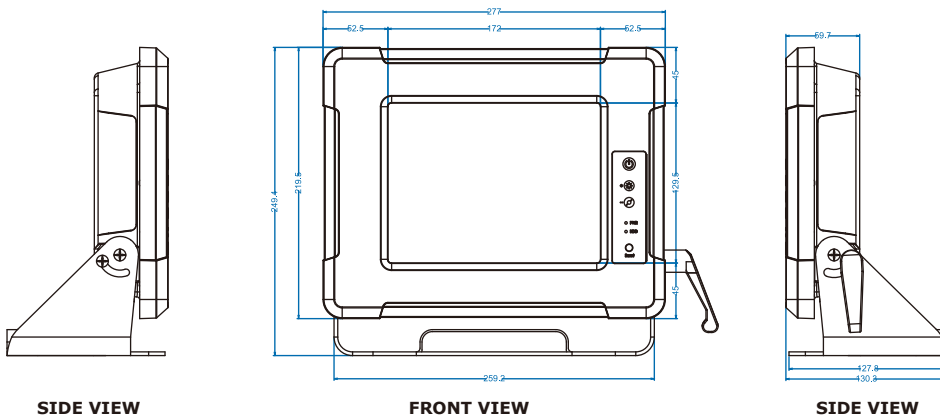


Model Number : R08IB3S-MLU1



1. Military Grade Lockable Power Connector
2. RS-232/422/485
3. 1xUSB 2.0, 1xUSB 3.0
4. HDMI
5. 2xRJ45

Drawing w / Mounting Bracket



Measurements shown in mm / All Dimensions are ± 0.5 mm

* Note: this is a simplified drawing and some components are not marked in detail. Please contact our sales representative if you need further product information.

Panel Characteristics

Size	: 8.4"
Pixel Number	: 800 x 600
Pixel Pitch(mm)	: 0.213 (H) x 0.213 (V) mm
Contrast Ratio	: 600 : 1 (typ.)
Brightness	: 600 cd/m ² (typ.)
Viewable Angle(CR>=10):	: -75~75 (H); -70~60 (V)
Active Display Area	: 170.4(H) x 127.8(V) mm
Max Colors	: 262,144 (6bits/color)

System Specifications

Processor	: Intel [®] Bay Trail N2930 1.83GHz
Chipset	: Bay Trail SoC Chipset
BIOS	: AMI 16Mbit Flash
Memory	: 1xDDR3L 1066 / 1333 MHz SO-DIMM default 4GB, Max. 8GB
Ethernet	: Intel [®] I210-AT GbE LAN
Audio	: Realtek HD Audio Codec
Storage	: mSATA SSD, default 64GB
Expansion Slot	: 1 x Mini PCIe
Wireless (Optional)	: 1 x Mini PCIe base Wireless LAN card with SMA antenna

I/O Connectors

Back Panel I/O Port	: 1 x Military Grade Lockable Power Connector
	: 1 x RS232/422/485
	: 1 x USB 2.0, 1xUSB 3.0
	: 1 x HDMI
	: 2 x RJ-45
	: 1 x WLAN antenna SMA in top (Optional)

In front Control

Control Button	: Power On/ Off Reset Brightness Up Brightness Down
LED indicator	: Power On/ Off HDD Status

Mechanical and Environment

Dimensions (W x L x H):	: 277 mm x 219.5 mm x 59.7 mm
Power Input	: 12V DC / MIL-grade connector
Power Consumption	: 30W typ.
Operating Temperature	: -20°C~70°C.
Storage Temperature	: -30°C~80°C.
Operation Humidity	: 10% to 95% (non condensing)
Shock*	: Operating: 30g for 18ms, 300m/s ²
Vibration*	: Operating: 1.60/1.96/2.18 g rms for XYZ / 5-500Hz

Environmental(MIL-STD 461E/F Compliance)

RE	: RE 101 / RE 102
CE	: CE 101 / CE 102
Optional with EMI Glass / Touch	
RS	: RS101 / RS103
CS	: CS 101 / CS 106 / CS 109 / CS 114 CS 115 / CS 116

* If you require external test report, Winmate will charge NRE fee.

Certifications

CE/FCC Class B

Product Optional Items

Mounting Bracket and Kits	One robust bracket with locking handle (Can adjust from -5deg. to 90deg.)
Operation System	Windows Embedded 7 / Windows Embedded 8* / Windows 10 IoT Enterprise *For Windows Embedded 8, this panel pc does not support the Metro UI, only support desktop mode
Storage	mSATA SSD up to 256GB
Anti-reflective Glass	3mm Anti-reflective Protection Glass (w/o Touch)
WLAN	IEEE802.11 b/g/n for optional
Wide Power Input Range	9V to 36V wide range acceptable for optional