

ATP Industrial Grade Wide-Temperature Z-U130 eUSB SSD Specification

Revision 2.1



Disclaimer:

ATP Electronics Inc. shall not be liable for any errors or omissions that may appear in this document, and disclaims responsibility for any consequences resulting from the use of the information set forth herein.

The information in this manual is subject to change without notice.

ATP general policy does not recommend the use of its products in life support applications where in a failure or malfunction of the product may directly threaten life or injury.

All parts of the ATP documentation are protected by copyright law and all rights are reserved. This documentation may not, in whole or in part, be copied, photocopied, reproduced, translated, or reduced to any electronic medium or machine-readable form without prior consent, in writing, from ATP Corporation.

The information set forth in this document is considered to be “Proprietary” and “Confidential” property owned by ATP.

Revision History

Date	Version	Changes compared to previous issue
June 25 th , 2008	1.0	- Base version
Dec. 9 th , 2008	1.1	- Add 2.00mm pitch low profile products
Feb. 18 th , 2009	1.2	- Change product image and mechanicals
Sept. 21 st , 2009	1.3	- Modify pin numbering orientation in Pin Assignment
Dec. 24 th , 2009	1.4	- Update the Low Profile Mechanical and Dimension
Apr. 7 th , 2010	1.5	- Add circle type mounting hole eUSB SSD product - Update the performance
July 28 th , 2010	1.6	- Add 16GB SLC
Feb. 25 th , 2011	1.7	- Added New External P/N
Aug. 29 th , 2011	2.0	- Added Power Protector feature and New BOM's P/N table - Updated product photos and performance data - Removed 512MB & 1GB version from 2.00mm & 2.54mm eUSB standard product lines.
Sept. 13 th , 2011	2.1	- Updated Physical Dimension Specification & Mechanical and Dimension drawings.

Table of Contents

Introduction	5
Main Features	5
Block Diagram	6
Product Images	7
Capacities	7
Pin Assignment	8
Signal Description	8
Electrical Specifications	9
Environment Specifications	9
Reliability	9
Performance	10
Certifications	10
Physical Dimension Specifications	10
Mechanical Form Factor	11

This Page Intentionally Left Blank



Introduction

The ATP Industrial Grade Z-U130 eUSB SSD is a solid state drive based on high performance NAND flash memory. This 10-pin embedded Disk-On-Module product utilizes the standard USB 2.0 interface which provides a true plug & play feature. This low power and compact size product is suitable for embedded storage applications. ATP Industrial Grade Z-U130 eUSB SSD offers an extended operating temperature range of -40°C to 85°C, provides outstanding performance and proven reliability for products operating outside the standard temperature range.

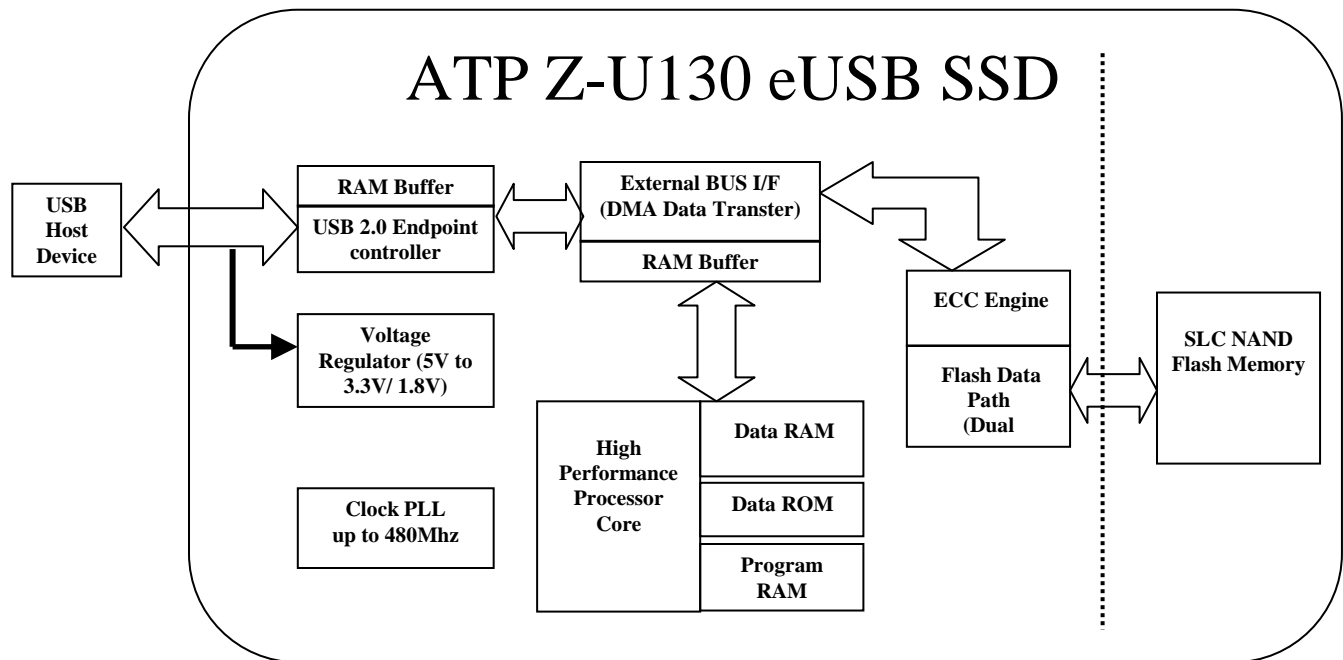
The ATP Industrial Grade Z-U130 eUSB SSD is designed for demanding industrial applications, such as military/aerospace, automotive, marine navigation, embedded, communication equipment or networking, medical equipment, and manufacturing, where mission-critical data requires the highest level of reliability, durability, and data integrity.

Main Features

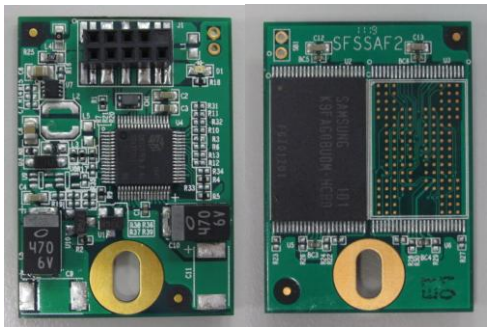
- Complete USB specification ver.2.0 and ver. 1.1 compatibility,
- High Speed (480 Mbits/sec), Full Speed (12 Mbits/sec) and Low Speed (1.5 Mbits/sec) transfer support.
- Operating temperature: -40°C to 85°C
- True “Plug and play” connection, support hot swap
- Top level Single Level Cell (SLC) NAND flash memory
- Built in 8bit/512Byte ECC engine provides automatic error correction
- Advanced NAND management technology, static and dynamic wear-Leveling algorithm
- High reliability, MTBF(Mean Time Between Failures): 5,000,000 hours
- Enhanced bad block management algorithm
- Power Protector, built-in power-down data protection
- Shock & vibration resistance
- RoHS compliant
- CE, FCC certification

Block Diagram

ATP Industrial Grade Z-U130 eUSB SSD consists of below functional blocks. The advanced architecture is optimized to provide highest data reliability and transfer performance.



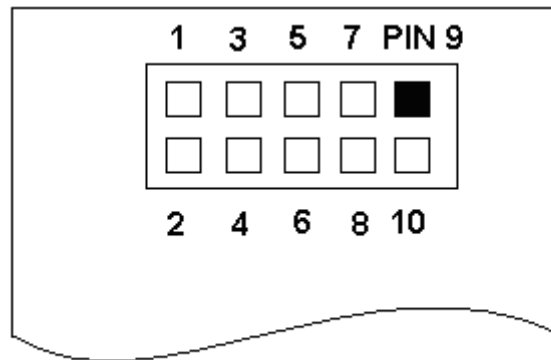
Product Images



Capacities

ATP Industrial Grade Z-U130 eUSB SSD P/N				CAPACITY
Standard profile (2.54mm pin pitch)	External P/N	Low profile (2.00mm pin pitch)	External P/N	
AF2GSSGH	AF2GSSGH- AABXP	AF2GSSGI	AF2GSSGI- AABXP	2GB
AF4GSSGH	AF4GSSGH- AABXP	AF4GSSGI	AF4GSSGI- AABXP	4GB
AF8GSSGH	AF8GSSGH- AABXP	AF8GSSGI	AF8GSSGI- AABXP	8GB
AF16GSSGH	AF16GSSGH- AAAXP	AF16GSSGI	AF16GSSGI- AAAXP	16GB

Pin Assignment



PIN	SIGNAL	TYPE	PIN	SIGNAL	TYPE
1	VCC	Power	2	NC	-
3	USBD-	I/O	4	NC	-
5	USBD+	I/O	6	NC	-
7	GND	Power	8	NC	-
9	NC	-	10	NC	-

Signal Description

SIGNAL NAME	TYPE	DESCRIPTION
VCC	Power	Bus Power Supply
USBD-	I/O	USB Data Negative Pin
USBD+	I/O	USB Data Positive Pin
GND	Power	Ground
NC	-	No Connection

Electrical Specifications

Symbol	Parameter	Min.	Typ.	Max.	Unit
V _{CC}	Recommend Supply Voltage	4.5	5.0	5.5	V
	Peak Voltage on any Pin	-0.3		5.5	V
I _{CC}	Operating Current (read & write)		100		mA
I _{SB}	Standby Current		50		mA

Environment Specifications

Parameter		Value
Temperature	Operating	-40°C to 85°C
	Non-Operating	-40°C to 85°C
Humidity	Operating	8% to 95%, noncondensing
	Non-Operating	8% to 95%, noncondensing
Vibration	Operating	15G peak-to-peak Max.
	Non-Operating	15G peak-to-peak Max.
Shock	Operating	2,000G Max.
	Non-Operating	2,000G Max.
Altitude	Operating	80,000 feet Max.
	Non-Operating	80,000 feet Max.

Reliability

- Data Retention: 10 years without power
- MTBF @ 25 °C: > 5,000,000 hours (Telcordia/Bellcore SR-332)
- Dynamic and Static wear leveling algorithm

Performance

Parameter	Value
Data Transfer Rate	Sequential read up to 21MByte/s
	Sequential write up to 18MByte/s

Certifications

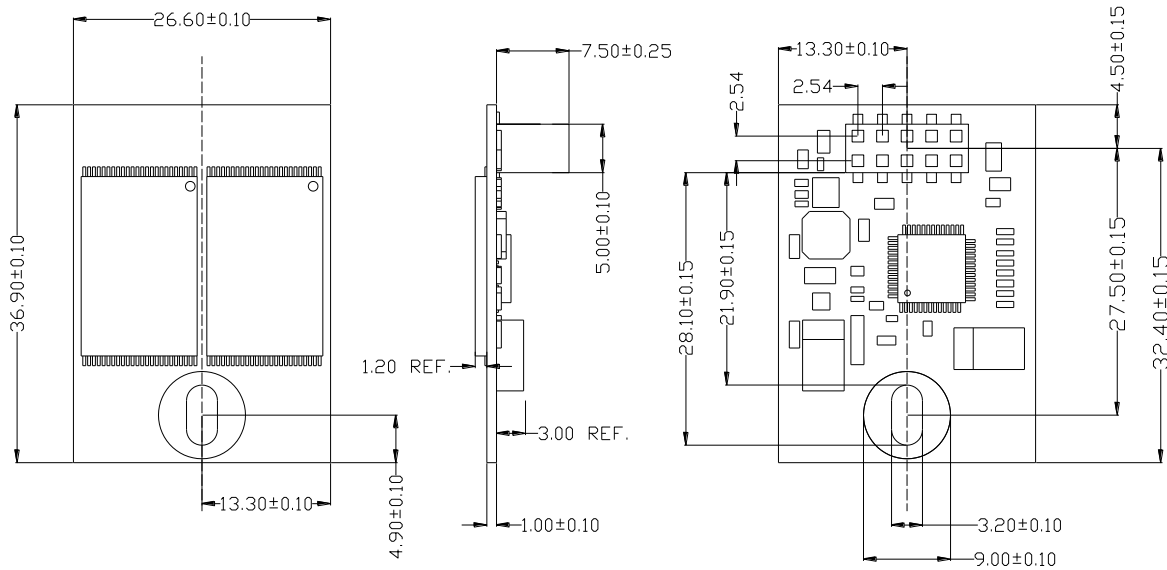
- RoHS compliant
- CE certification
- FCC certification

Physical Dimension Specifications

Parameter	Value	
	Standard profile (2.54mm pin pitch)	Low profile (2.00mm pin pitch)
Length	36.90+/- 0.10mm	36.90+/- 0.10mm
Width	26.60+/- 0.10mm	26.60+/- 0.10mm
Thickness	9.70+/- 0.25mm	5.90+/- 0.25mm

Mechanical Form Factor (Units in mm)

Standard Profile Mechanicals (2.54mm pin pitch connector):



Low Profile Mechanicals (2.00mm pin pitch connector):

