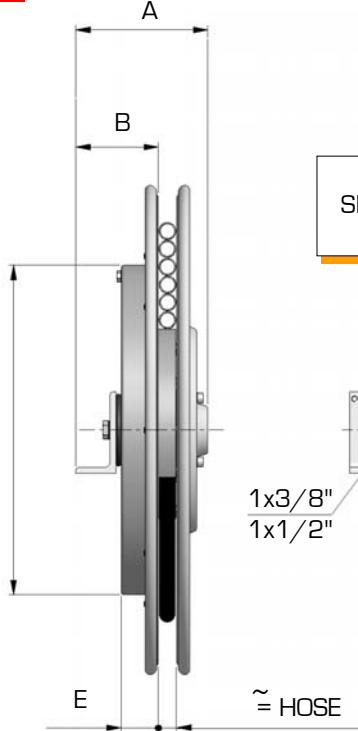
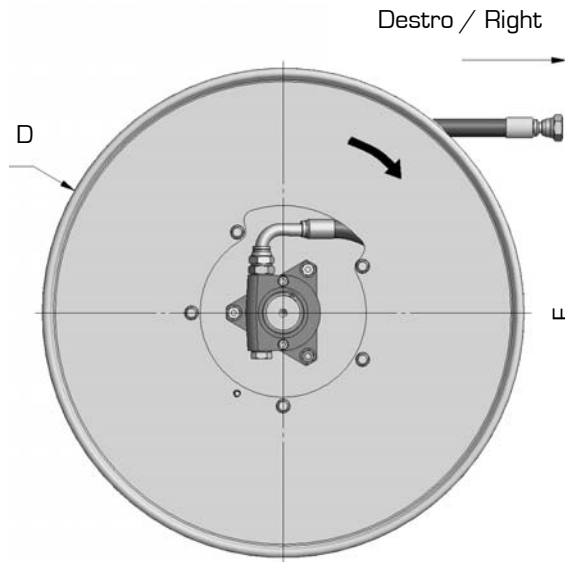
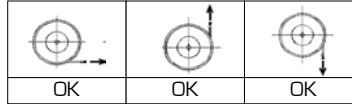


**141.1**

.08	30 l/min
.10	30 l/min
.12	40 l/min
.16	60 l/min
.19	80 l/min
.26	135 l/min

**W. P.  
350 bar**
**MAX HOSE SPEED  
30 m/min**

**SINGLE SPIRAL**

 1x3/8"  
1x1/2"

 S1D 400 = MODELLO DESTRO / RIGHT MODEL  
 S1S 400 = MODELLO SINISTRO / LEFT MODEL  
 Es. ORD: S1D 400.10.2SN

Modello destro	A	B	D	E	F	Tubo/Hose SB1 - 1SN - 2SN - 4SP		
						Ø	Lungh.totale	Lungh.utile
							Total length	Usable length
Right model	mm					m		m
S1D295.08.XX	150	82	295	37	272	5/16"	2,1	1,8
S1D295.10.XX						3/8"	1,5	1,2
S1D320.08.XX	150	82	325	37	272	5/16"	3,0	2,7
S1D320.10.XX						3/8"	2,5	2,2
S1D340.08.XX	150	82	340	37	272	5/16"	3,6	3,3
S1D340.10.XX						3/8"	2,7	2,4
S1D340.12.XX						1/2"	2,7	2,4
S1D370.08.XX	150	82	370	37	322	5/16"	4,3	4,0
S1D370.10.XX						3/8"	3,5	3,2
S1D370.12.XX						1/2"	3,0	2,7
S1D400.08.XX	150	92	400	47	322	5/16"	4,5	4,2
S1D400.10.XX						3/8"	5,0	4,7
S1D400.12.XX						1/2"	3,0	2,7
S1D420.08.XX	160	92	420	47	322	5/16"	6,0	5,7
S1D420.10.XX						3/8"	5,0	4,7
S1D420.12.XX						1/2"	5,0	4,7
S1D420.16.XX						5/8"	2,6	2,3
S1D470.08.XX	160	92	478	47	322	5/16"	8,5	8,2
S1D470.10.XX						3/8"	7,6	7,3
S1D470.12.XX						1/2"	6,5	6,2
S1D470.16.XX						5/8"	4,1	3,8
S1D470.19.XX						3/4"	2,7	2,4