

## Miniature Capsule Slip Ring LPM-12N

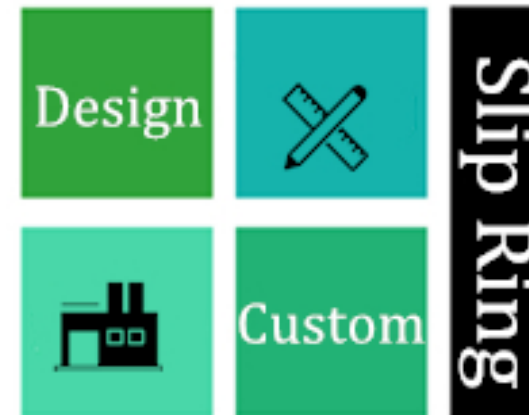
This unit can be used in any electromechanical system that requires unrestrained, continuous rotation while transferring power or data from a stationary to a rotating structure. It is also called a rotary electrical interface, commutator, collector, swivel or an electrical rotary joint.

The LPM-12N miniature slip ring is a standard, off-the-shelf unit that uses gold contacts at the rotary interface. Color-coded lead wires are used on both the stator and rotor for simplifying electrical connections. The LPM-12N allows tremendous flexibility in dealing with system size restrictions. It is available in 4, 6 and 12 circuit configurations.



- ◆ The operating life of the unit depends upon temperature, rotation speed and environment.
- ◆ The operating life ≥50,000,000 runs ref.

### Features



- ✓ 12 circuits models
- ✓ 2 amps per circuit ,240VAC/DC
- ✓ Precision assembly to provide exceptional rotational life
- ✓ Speed up to 300 rpm continuous
- ✓ Gold-Gold contacts
- ✓ Flexible, color-coded, silver-plated, lead wires
- ✓ Superior handling of low level control signals
- ✓ Metal housing optional

### Specifications

Operating Speed	0-300 rpm
Number of Circuits	12
Voltage	240 VAC/DC
Current Rating	2 amps per circuit
Temperature Range	-20°C to +60°C
Contact Material	Precious Metal
Lead Size	30# silver plated copper
Lead Length	Stator : 100mm Rotor :100mm
Electrical Noise	≤35 mΩ(50 rpm)
Housing Material	Plastic

### Capsule Length

# of Circuits	L (mm)	Part No
12	20.2	LPM-12N



TEMPE  
-20° C to 60° C



MAXIMUM OPERATING SPEED  
0-300 RPM

### Applications

- ✓ Electrical test equipment
- ✓ Manufacturing and process control equipment
- ✓ Indexing tables
- ✓ CCTV pan / tilt camera mounts
- ✓ Robotics, rotary sensors, urgent illumination equipmen
- ✓ Exhibit / display equipment/Closed-circuit control
- ✓ Aviation ,military ,instrument, medical equipment.
- ✓ Min-type wire-rolling machine / Wind turbine generator

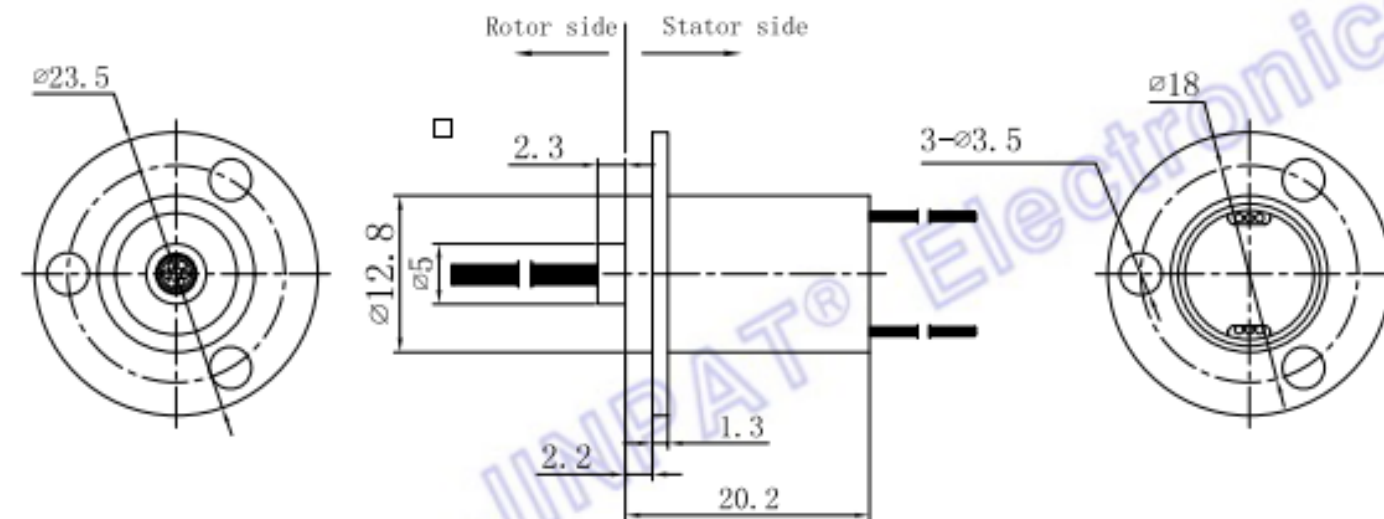


## Advantage



- ✓ Low torque minimize system torque budget
- ✓ Compact design to fit in the most demanding space.
- ✓ Smooth running
- ✓ Low electrical noise
- ✓ Quick shipment per your urgent requirement
- ✓ 360 continuous rotation
- ✓ High bandwidth transfer capability
- ✓ Addition of special components
- ✓ Quick shipment

## Drawings



## MESSAGE

Any questions about slip ring, please leave your message to get a professional solution

### PRODUCT CATEGORY

FORJ  
Capsule slip ring  
Through bore slip ring  
Pancake slip ring  
Mercury slip ring  
Separate slip ring  
Miniature slip ring  
Wind turbine slip ring  
Hydraulic slip ring  
Pneumatic slip ring  
Coaxial rotary joints

### REQUESTS

Circuits  
Current&voltage  
Signal details  
Dimension  
Working speed  
Working temperature  
Operating  
Environment  
Other

### INDUSTRIES

Surveillance  
Crane  
Medical  
Marine  
Defence  
Radar antenna  
Automation  
Meter and instrument  
Wind turbine generator  
VR Device  
Other

### Wire Color Code

Wire Size	Ring #	Color	Ring #	Color	Ring #	Color	Ring #	Color
AWG17# silver plated copper Teflon UL	#1	BLK	#2	BRN	#3	RED	#4	ORG
	#5	YEL	#6	GRN	#7	BLK-BLU	#8	PUR
	#9	GRAY	#10	WIT	#11	PINK	#12	AZURY
	#13	WIT/BLK	#14	WIT/BRN	#15	WIT/RED	#16	WIT/ORG
	#17	WIT/YET	#18	WIT/GRN	#19	WIT/BLU	#20	WIT/PUR
	#21	WIT/GRAY	#22	CLAR	#23	BLK-RED	#24	BLK/BRN

Remarks: 1. AWG28# silver plated copper Teflon UL, 24 different color single wires for a circle

2. #1 from rotor side (The color if the wire can be changed).

Contact us on wire color codes



Send