



E153

3U VPX Development Platform



- **Commercial Chassis for System/Software Development**
- **6 slot 3U Open VPX Backplane BKP3-DIS06-15.2.14-1**
 - Twisted Ring Routing of 2 Fat Pipes (x4) for Slots 1 to 5
 - One Switch Slot for Centralized Switching
- **Fan-cooled**
- **300 Watt Power Supply**
 - Input Voltage: 90 - 260 Vac/50 - 60 Hz
 - Outputs: 5 Vdc, 3.3 Vdc, +12 Vdc

Aitech Defense Systems, Inc.

A member of the Aitech Rugged Group

19756 Prairie Street, Chatsworth, Ca. 91311

Tel: (888) Aitech-8 (248-3248) Fax: (818) 718-9787 e-mail: sales@rugged.com web: www.rugged.com



E153

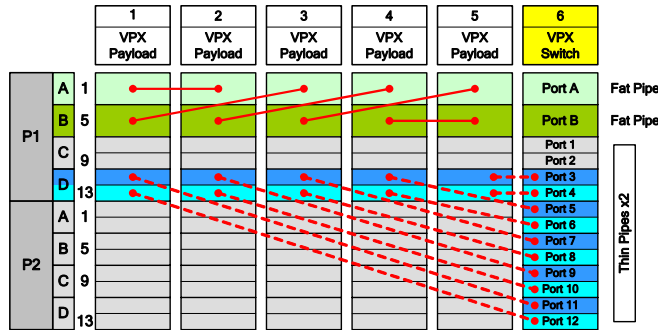
3U VPX Development Platform

Aitech's E153 3U VPX Development Platform provides a versatile, easy to use, low cost environment for development of 3U VPX systems and application software.

The development platform includes a 6-slot VPX backplane with rear I/O, an integral power supply, and a fan unit.

The E153 can be ordered without boards, or with one or more Aitech air-cooled 3U VPX SBCs.

The backplane is BKP3-DIS06-15.2.14-1 profile per VITA 65 OpenVPX. The diagram below shows slot to slot routing of the backplane data and control planes.



The integral 300 Watt power supply has sufficient capacity to power a wide range of VPX boards.

Power supply input and output specification are shown in the table below:

Input		
90 - 260 Vac/50 - 60 Hz		
Outputs		
Voltage [Vdc]	Current [A]	
	Typical	Max
5 (Vs3)	25	40
3.3 (Vs2)	25	40
12 (Vs1)	7	10
12 (aux)	1	
-12 (aux)	1	
3.3 (aux)	1	

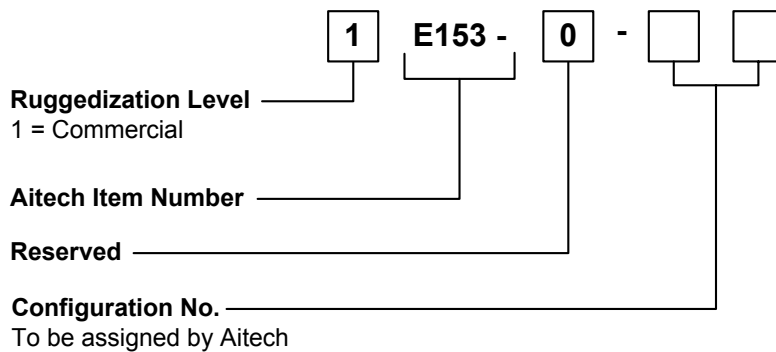
* Maximum combined load must not exceed 300W.

E153 functionality may be enhanced by adding Aitech or third party VPX boards and PMCs/XMCs.

SBC and PMC/XMC I/O can be easily accessed using transition modules with standard I/O connectors, assembled from the rear of the E153.

Refer to the datasheets for the various Aitech 3U VPX SBCs, PMCs, XMCs, PMC/XMC Carriers, and Transition Modules for more information regarding the potential capabilities of the E153 3U VPX Development Platform.

Ordering Information for the E153



Example: 1E153-0-00

For more information about Aitech's Development Platforms or any Aitech product, please contact Aitech Defense Systems' sales department at (888) Aitech-8 (248-3248).

Names, products, and/or services mentioned are trademarks or registered trademarks of their respective holders. All information contained herein is subject to change without notice.

E153T0412R11

Aitech Defense Systems, Inc.

A member of the Aitech Rugged Group

19756 Prairie Street, Chatsworth, Ca. 91311

Tel: (888) Aitech-8 (248-3248) Fax: (818) 718-9787 e-mail: sales@rugged.com web: www.rugged.com