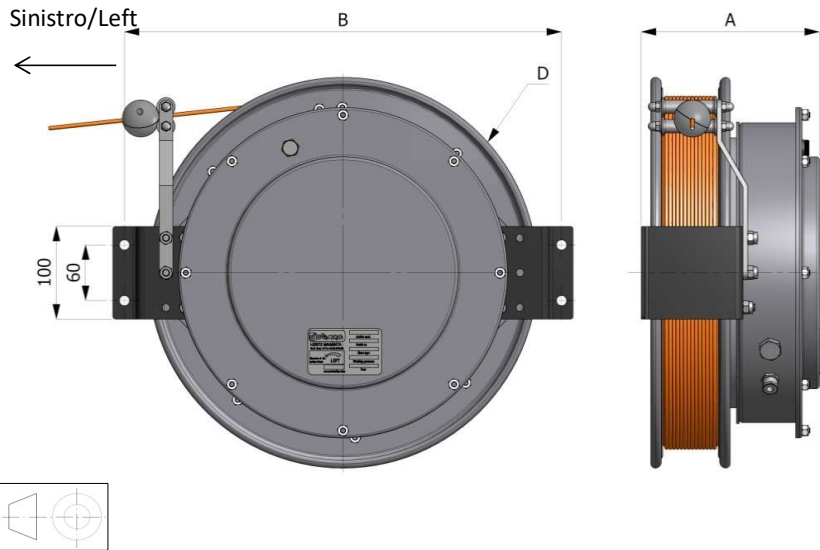


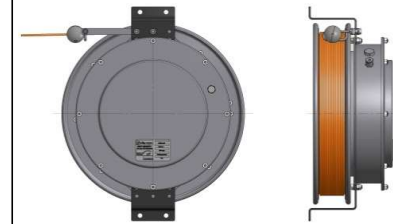


Max tension: 50 V  
 Max current: 1 A  
 Max cable speed: 30 m/min  
 Protection degree: IP 65  
 Temperature range: -20/+60°C (-40°C+80°C also available)



Disegno tecnico disponibile a richiesta    
 Technical drawing available on request

Optional layout: **model/O**



| N° poli<br>Poles N° | CAVO<br>CABLE                    | MODELLO<br>MODEL |    |                 |     |     |     | WEIGHT<br>PESO | Completo di cavo e: - Equipped with cable and: |                                 |  |  |   |
|---------------------|----------------------------------|------------------|----|-----------------|-----|-----|-----|----------------|--|---------------------------------|--|--|---|
|                     |                                  | TYPE             | Ø  | Stroke          | A   | B   | D   |                | 2 sensori<br>sfilo<br>uscita Volt              | 2 sensori<br>sfilo<br>uscita mA | 2 s. sfilo<br>1 s. angolo<br>uscita Volt | 2 s. sfilo<br>1 s. angolo<br>uscita mA | 2 s. sfilo<br>2 s. angolo<br>uscita<br>CanBus |
|                     |                                  |                  | mm | m               |     |     |     |                |  |                                 |  |  |   |
|                     |                                  |                  |    |                 |     |     |     | X = 2PV        | X = 2PA  | X=2PIV                          | X=2PIA                                   | X=2PIB                                 |   |
| 0                   | FUNE ACCIAIO<br>STEEL WIRE ROPE  | 1,5              | 20 | LR 320.20.X     | 222 | 400 | 320 | 14             |  |                                 |  |  |   |
|                     |                                  | 1,5              | 30 | LR 420.30.X     | 222 | 473 | 420 | 20             |  |                                 |  |  |   |
| 3                   | 3xAWG25<br>SCHERMATO<br>SCREENED | 3,8              | 20 | LR 320.032520.X | 222 | 400 | 320 | 15             |  |                                 |  |  |   |
|                     |                                  |                  | 32 | LR 420.032532.X | 222 | 473 | 420 | 21             |  |                                 |  |  |   |
|                     |                                  |                  | 40 | LR 420.032540.X | 222 | 473 | 420 | 21             |  |                                 |  |  |   |
|                     |                                  |                  | 50 | LR 520.032550.X | 271 | 570 | 520 | 25             |  |                                 |  |  |   |
| 5                   | 4xAWG26<br>SCHERMATO<br>SCREENED | 4,0              | 20 | LR 320.052520.X | 222 | 400 | 320 | 16             |  |                                 |  |  |   |
|                     |                                  |                  | 32 | LR 420.052532.X | 222 | 473 | 420 | 22             |  |                                 |  |  |   |
|                     |                                  |                  | 40 | LR 420.052540.X | 222 | 473 | 420 | 22             |  |                                 |  |  |   |
|                     |                                  |                  | 50 | LR 520.052550.X | 271 | 570 | 520 | 25             |  |                                 |  |  |   |
| 7                   | 7x0,34<br>SCHERMATO<br>SCREENED  | 6,3              | 10 | LR 320.073410.X | 222 | 400 | 320 | 17             |  |                                 |  |  |   |
|                     |                                  |                  | 30 | LR 420.073432.X | 222 | 473 | 420 | 23             |  |                                 |  |  |   |
|                     |                                  |                  | 40 | LR 520.073440.X | 271 | 570 | 520 | 26             |  |                                 |  |  |   |
| 12                  | 12x0,5 Sc.                       | 10,7             | 12 | LR 420.120512.X | 253 | 498 | 420 | 22             |  |                                 |  |  |   |
|                     |                                  |                  | 15 | LR 420.120515.X | 253 | 498 | 420 | 22             |  |                                 |  |  |   |
|                     |                                  |                  | 20 | LR 420.120520.X | 253 | 498 | 420 | 22             |  |                                 |  |  |   |
|                     | 12x1,5 Sc.                       | 15,5             | 23 | LR 520.121523.X | 325 | 596 | 520 | 29             |  |                                 |  |  |   |