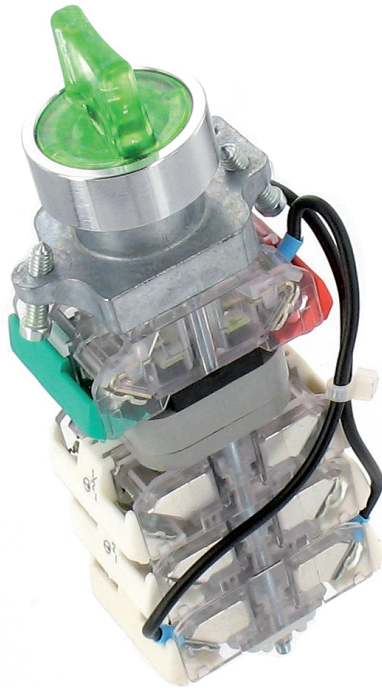




MAFELEC

Creating control and signalling solutions for harsh environment

Illuminated switches



Ø 22 switches with illuminated head
2 independant circuits:
Illuminated function
Electrical contact block

- **Transparent handle with color change when switching**
- **or controlled by customer apparatus**

Standards:

- Conception EN 60947-5-1
- Shocks, vibrations EN 61373
- CEM EN 50155

Mechanical characteristics:

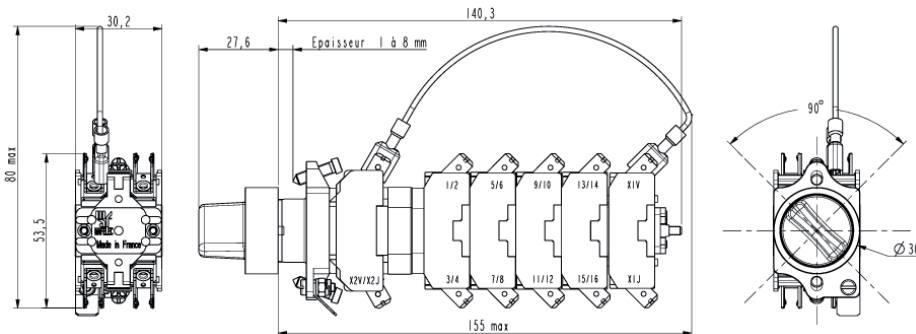
- Operating temperature: - 40°C to +70°C
- Service life: 300 000 operations

Dimensions:

- Configuration with 4 electrical contact blocks

Electrical characteristics:

- Contact blocks:
Ith: 20 A
Ui: 630 V
Uim: 6 kV
- Operating volage of LED circuit:
24 V, 48 V (or more with integrated transformer)
- LED: 2 colors (tint on request)
or monochrome - 2 LED per color.
- CEM Protection
- LED control: Remote control or driven by the apparatus itself.
- Connection by IP2x or 6.35 mm tabs.



AEROSPACE & DEFENCE



COACHES & BUSES



RAILWAY



INDUSTRY



ENERGY



PLEASURE BOAT



VERTICAL TRANSPORT



INDUSTRIAL VEHICLES



OFFSHORE & MINING

MAFELEC
www.mafelec.com

Textes et images non contractuels

(update 2017/06)