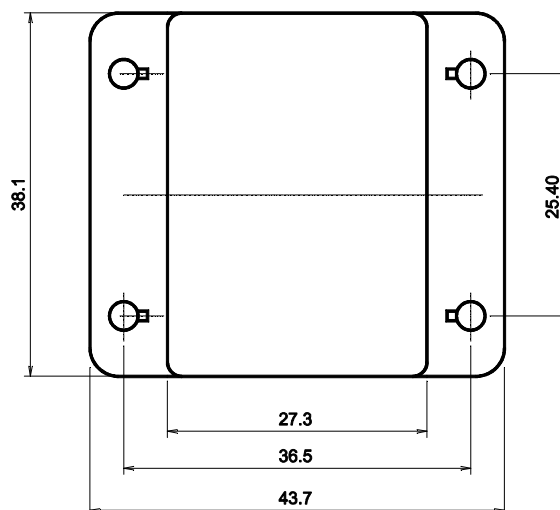


Basic socket series designation for:  
SERIES F600 (DC Coil),  
F601 (AC Coil)



## GENERAL CHARACTERISTICS CARACTERISTIQUES GENERALES

<b>Crimp tool #22</b> <i>Pince à sertir #22</i>	M 22520/1-01 with turret M 22520/1-02 or 7-03
<b>Insertion and extraction tool #12</b> <i>Outil d'insertion et d'extraction #12</i>	M 81969/14-03
<b>Crimp tool #16</b> <i>Pince à sertir #16</i>	M 22520/1-01 with turret M 22520/1-02 or MS 3191-1
<b>Insertion and extraction tool #16</b> <i>Outil d'insertion et d'extraction #16</i>	M 81969/14-03
<b>Weight</b> <i>Poids</i>	65g max
<b>Temperature range</b> <i>Température d'utilisation</i>	-70° C to +125° C

#### AMERICAS.

Tel: +1 714-736-7599  
<http://www.esterline.com/powersystems>

#### EUROPE.

Tel: +33 3 87 97 31 01  
Fax: +33 3 87 97 96 86

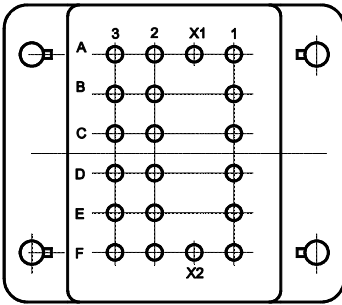
#### ASIA

Tel: +852 2 191 3830  
Fax: +852 2 389 5803

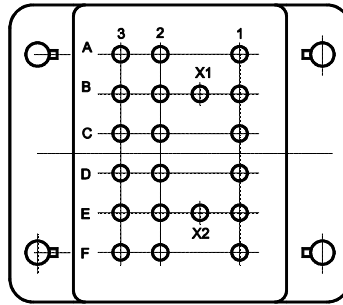
### TERMINAL LAYOUT TYPE DE SORTIE

Dimensions in mm  
Tolerances, unless otherwise specified,  $\pm 0.25\text{mm}$

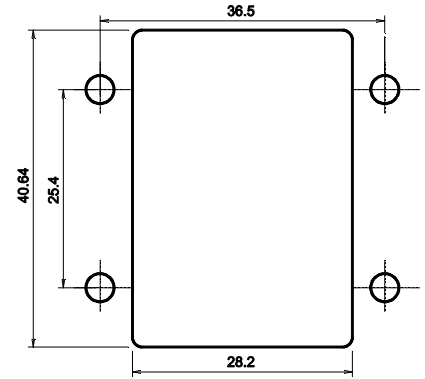
CODE A S600



CODE B S601

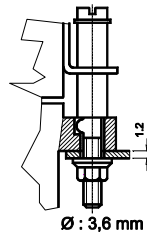


MOUNTING HOLE LAYOUT  
DECOUPE DE LA STRUCTURE



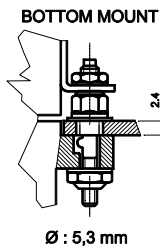
### MOUNTING HARDWARE TYPE DE VISSERIE

CODE 7 : 05 284 15  
LOOSE METRIC M3 HARDWARE  
TOP MOUNT

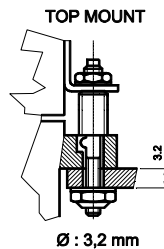


FOR RELAYS WITH CAPTIVE SCREWS (CODE B)  
MOUNTING TORQUE :  $0,45 \pm 0,1 \text{ Nm}$   
COUPLE DE SERRAGE

CODE 8 : 05 284 20  
LOOSE UNC STUDS MIL-S-12883/41 - EDIT C



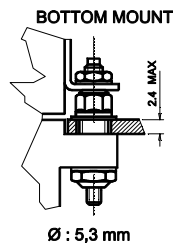
$\varnothing : 5,3 \text{ mm}$



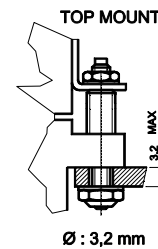
$\varnothing : 3,2 \text{ mm}$

MOUNTING TORQUE / COUPLE DE SERRAGE  
NUT 4/40 :  $0,45 \pm 0,1 \text{ Nm}$   
NUT 10-32 :  $1,2 \text{ Nm MAX}$

CODE 9 : 05 284 21  
FIXED UNC STUDS PER MIL-S-12883/41 - EDIT C



$\varnothing : 5,3 \text{ mm}$



$\varnothing : 3,2 \text{ mm}$

MOUNTING TORQUE / COUPLE DE SERRAGE  
NUT 4/40 :  $0,45 \pm 0,1 \text{ Nm}$   
NUT 10-32 :  $2 \text{ Nm MAX}$

**WIRE INSULATION DIAMETER FOR SEAL TO GROMMET**  
 JOINT D'ÉTANCHEITE

CODE A
Recommended for contact code 8 Dia: 1.65.....2.76mm

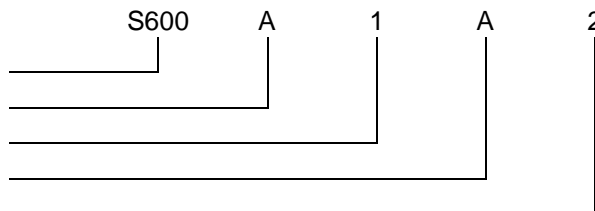
**CONTACT SIZE AND STYLE**  
 TAILLE ET STYLE DE CONTACTS

CODE 0	CODE 8
Without contacts <i>Contacts non fournis</i>	LEACH reference : 05 910 00 Crimp end to accomodate: AWG 16-18-20 Contact mating end: AWG: 16

**SOCKET NUMBERING SYSTEM**  
 SYSTEME DE REFERENCES

Basic series designation | Référence de base

1. Terminal layout | Type de sorties
2. Mounting hardware | Type de visserie
3. Grommet to seal on wire insulation | Joint d'étanchéité
4. Contact size and style | Taille et style de contact



Exemple : S600-A1A2

**MS/LEACH CROSS PART NO, AND MATING RELAYS**  
 SYSTEME DE REFERENCES

MS - Number	S600/S301 REFERENCE
M12883/47-001	S600-A8A8
M12883/47-002	S601-B8A8
M12883/47-004	S600-A9A8
M12883/47-005	S601-B9A8