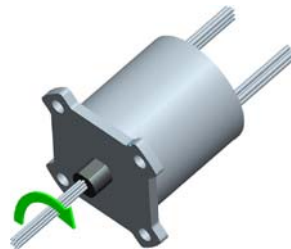
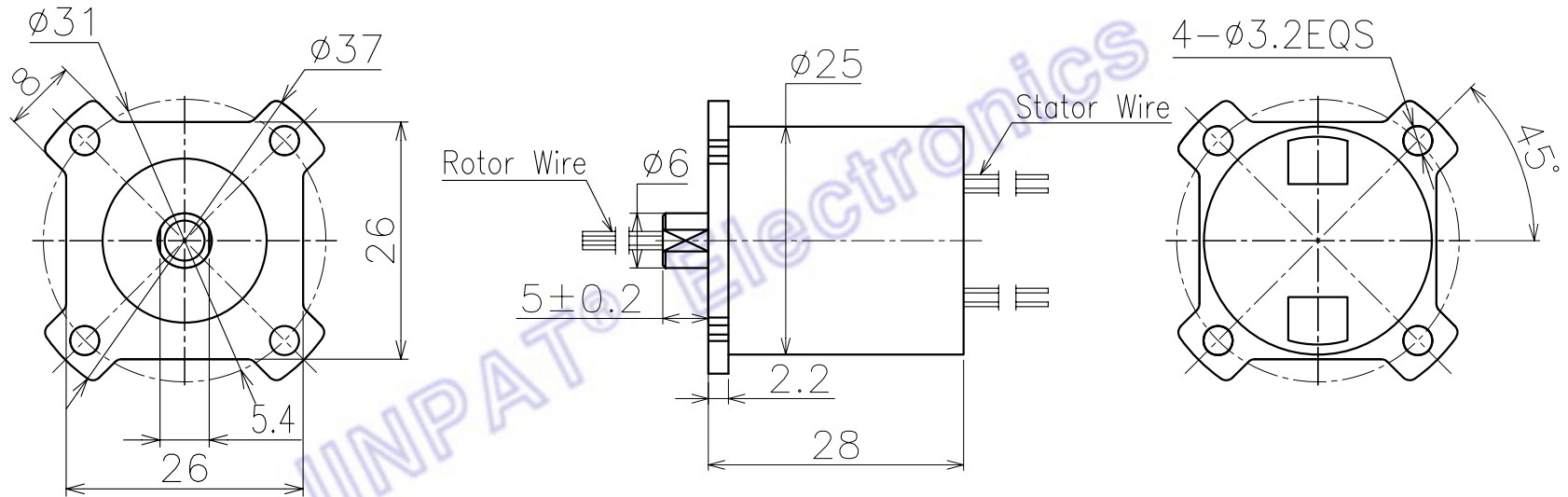


MARK	CONTENT OF AMENDMENT	DATE	DRAW


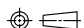
This document is the property of JINPAT Electronics Co., Ltd (ShenZhen) (Hereafter "JINPAT"). It is lent and is to be returned upon request. The contents of this document are confidential and constitute trade secrets proprietary to JINPAT. Its contents document nor its contents shall be disclosed to any unauthorized person copied or published without JINPAT prior written consent.  
COPY RIGHT © 2017 JINPAT ELECTRONICS Co., Ltd (ShenZhen).

← Rotor Side | Stator Side →



Technical requirements:

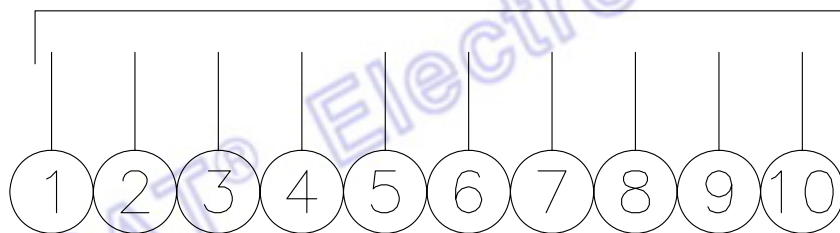
1. For the dimension which unmarked tolerance, its tolerance will be controlled according to the unmarked tolerance in the frame

 <b>JINPAT</b> <a href="http://www.slipring.cn">www.slipring.cn</a>	MODEL	LPC-10S					
	Customer code	JP27-031-001HW	TITLE	Outline Drawing			
	UNIT	mm	TOL UNLESS SPECIFIED	DESIGN	LCC	DATE	2017.12.22
	SCALE	1:1	LINEAR 0--18 ±0.1 >18--80 ±0.15 >80--250 ±0.2 ANGLE ° ±0.5°	CHECKED	CJS	DATE	2017.12.22
	PROJ.			REV.	A0	PAGE	1/2

MARK	CONTENT OF AMENDMENT	DATE	DRAW

This document is the property of JINPAT Electronics Co., Ltd (ShenZhen) (Hereafter "JINPAT"). It is lent and is to be returned upon request. The contents of this document are confidential and constitute trade secrets proprietary to JINPAT. Its contents document nor its contents shall be disclosed to any unauthorized person copied or published without JINPAT prior written consent.  
 COPY RIGHT © 2017 JINPAT ELECTRONICS Co., Ltd (ShenZhen).

10Circuits\*1A  
 AWG28# Teflon® UL



Electronic & Electric		
Circuits	Total	10CKT
	Detail	10x1A
Rating Voltage	0~20VDC	
Dielectric Strength	500VAC@50Hz(P)	
Insulation Resistance	≥100MΩ@500VDC(P)	
Lead Wire Size	AWG28# silver plated copper UL®, Teflon®	
Electrical Noise	≤30mΩ @50RPM	
Working Temperature	-10°C~+80°C	
Working Humidity	≤60%RH	
IP	IP54	

Mechanical	
Working Speed	0~1200rpm
Contact Material	Gold to Gold
Housing Material	Aluminum Alloy
Lead Wire Length	Stator:250±5mm Rotor:250±5mm
Environment	
lifespan	≥100Million Round
Other	/
Remarks	
Note: "P" stands for power, "S" stands for signal.	

**JINPAT**  
 www.slipring.cn

MODEL	LPC-10S						
Customer code	JP27-031-001HW	TITLE	Wiring Diagram				
UNIT	mm	TOL UNLESS SPECIFIED	DESIGN	LCC	DATE	2017.12.22	
SCALE	1:1	LINEAR 0--18 ±0.1 >18--80 ±0.15 >80--250 ±0.2	CHECKED	CJS	DATE	2017.12.22	
PROJ.		ANGLE x° ±0.5°	REV.	A0	PAGE	2/2	